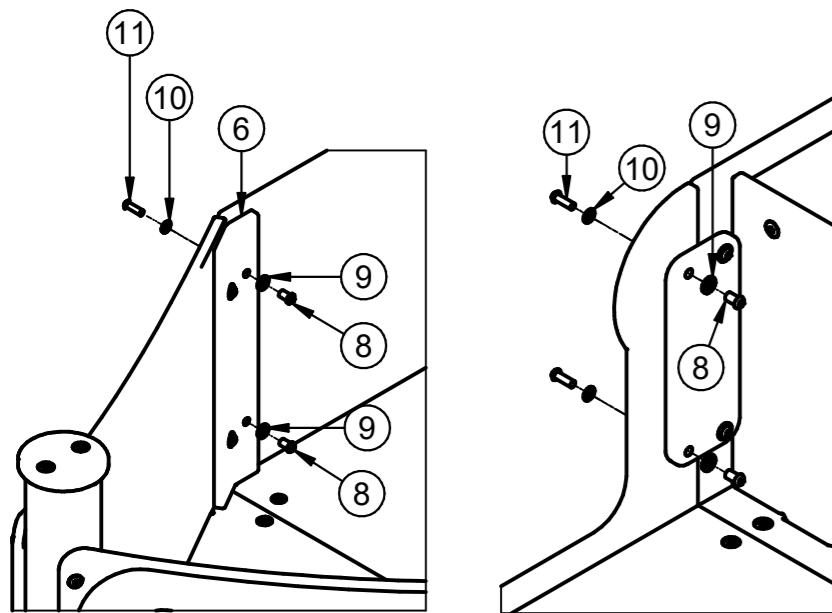


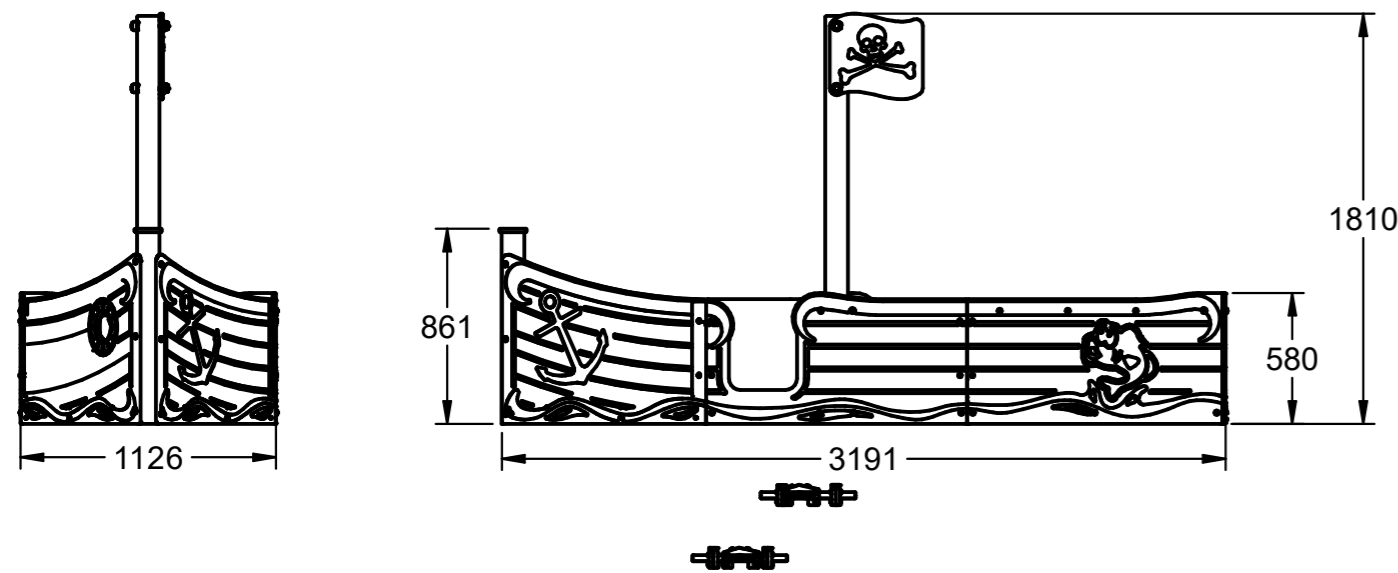
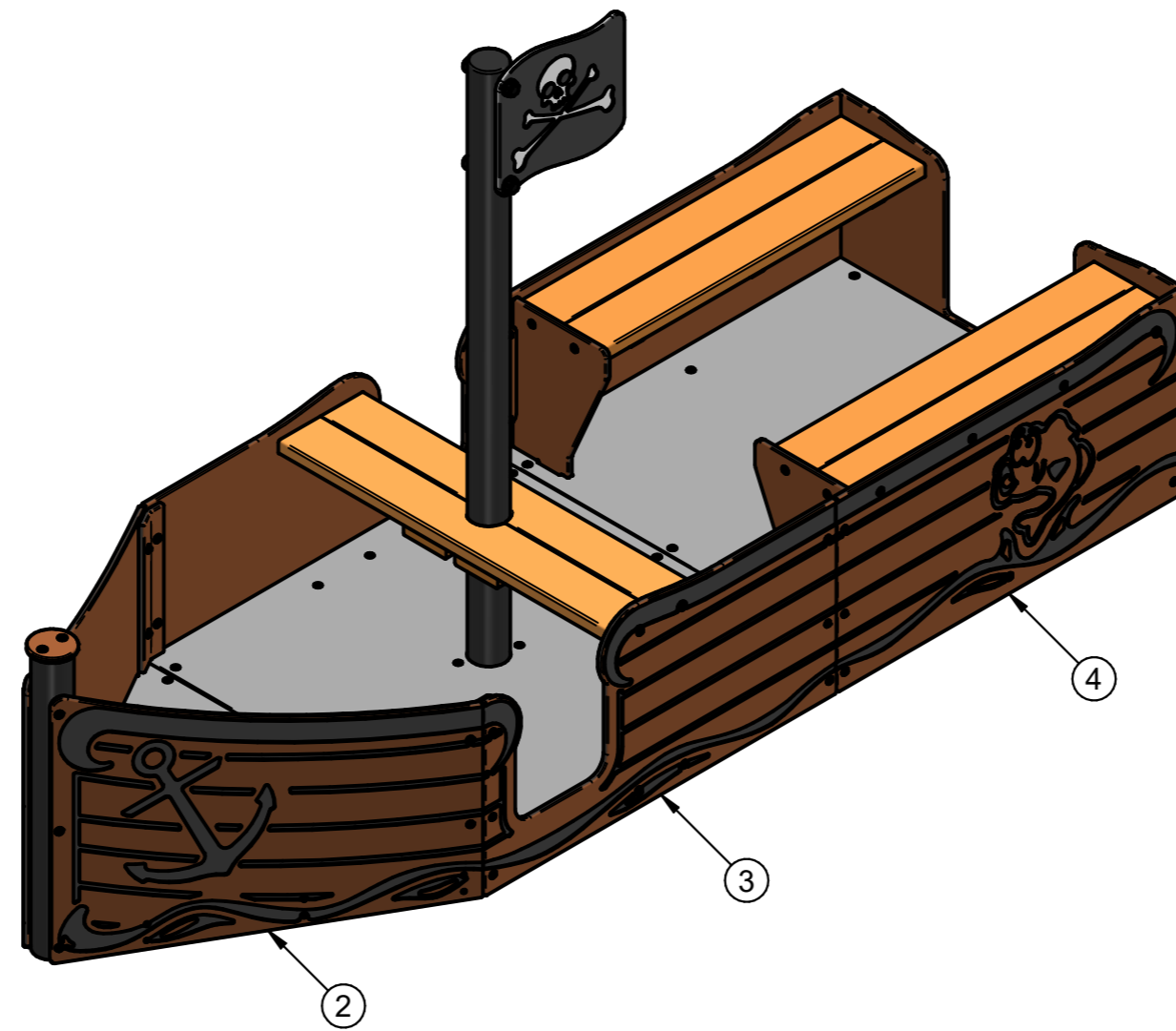
Installation Instructions

Ahoy Pirate Play Ship



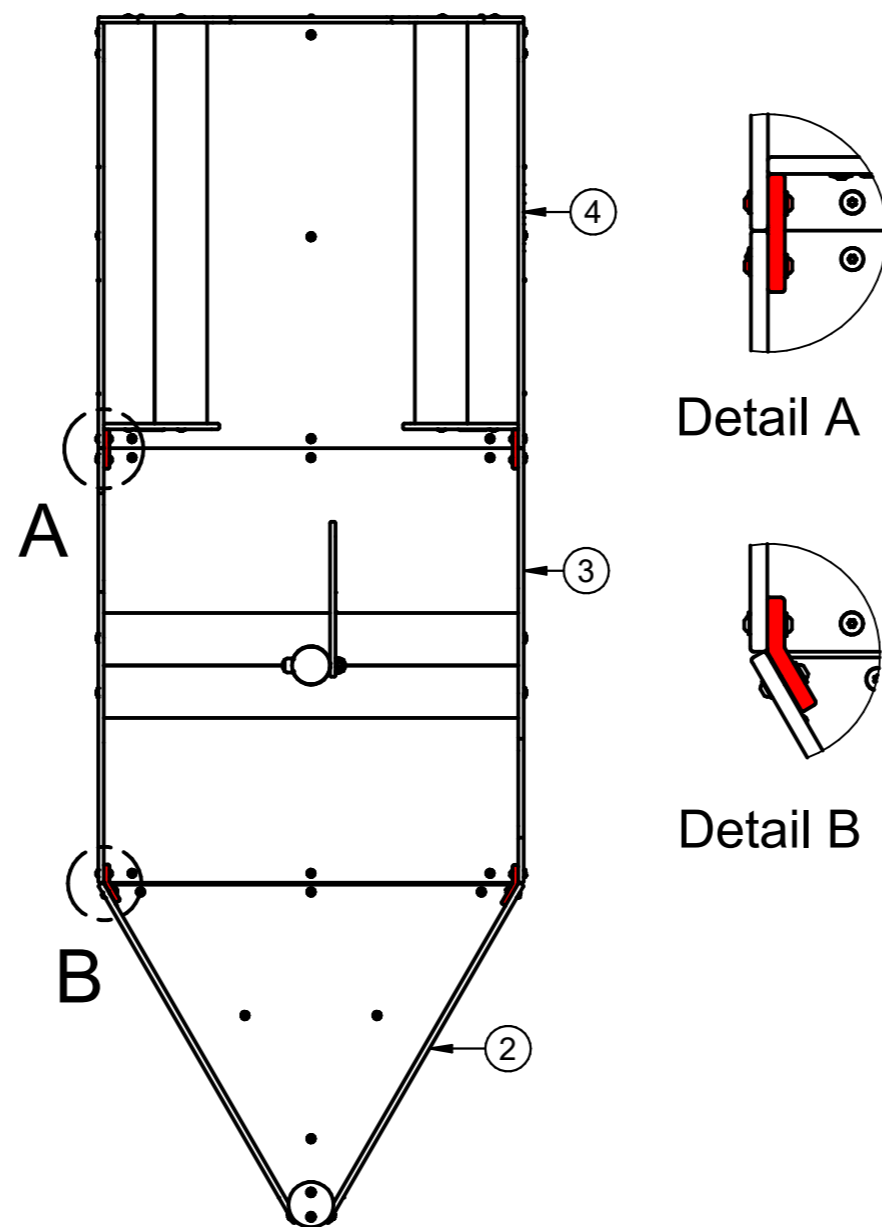
i) Connect Front to Mid with brackets using the fixings shown.

ii) Connect Mid to Stern using the already attached bracket and the fixings shown.



Parts List

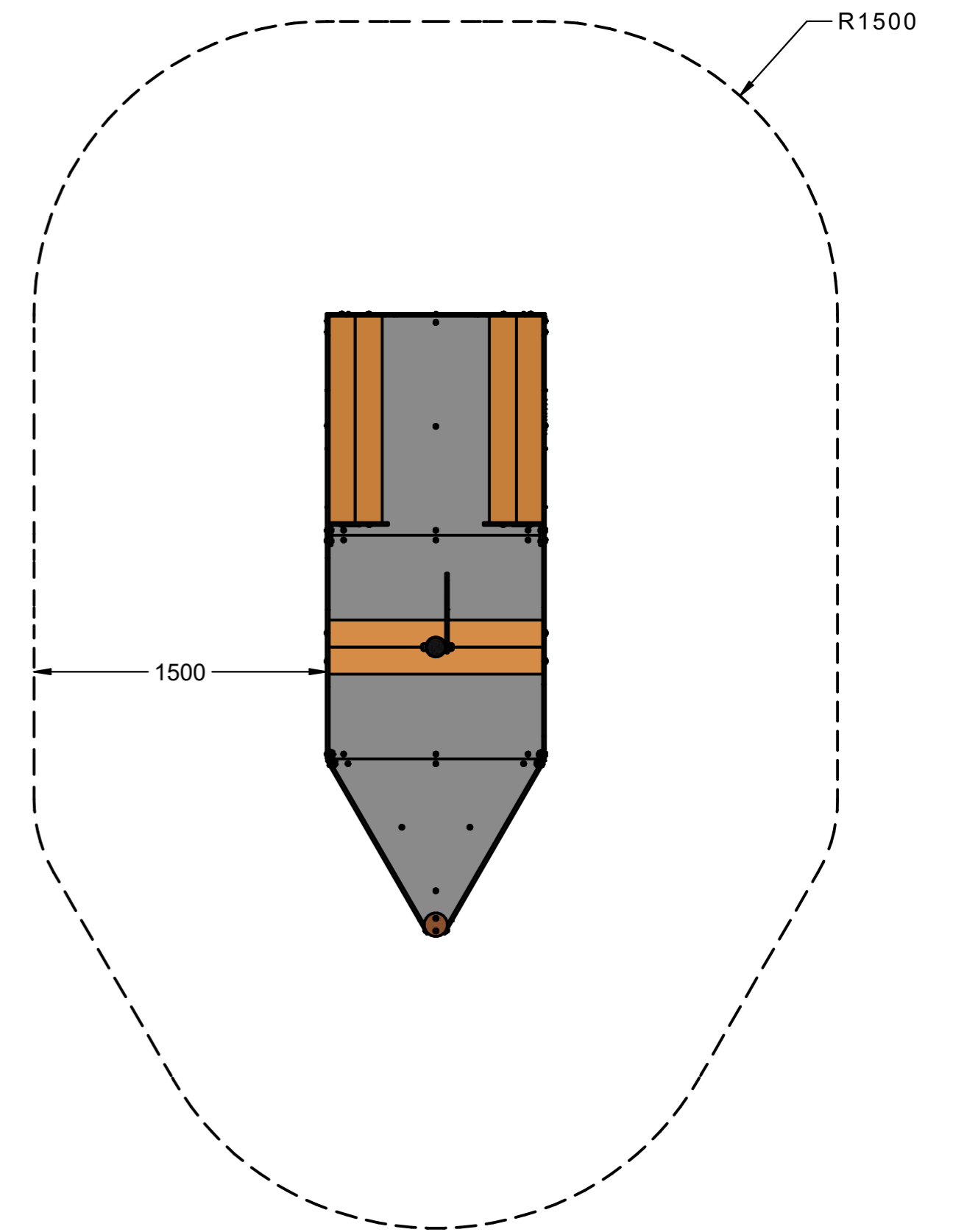
Item	Code	Description	Total Qty
1	FGJ0106 - 150		2
2	FIPSHIP - Bow	Pirate Ship - Bow Section	1
3	FIPSHIP - Mid	Pirate Ship - Mid Section	1
4	FIPSHIP - Stern	Pirate Ship - Stern Section	1
5	FPS5839-A	Mid Section/Stern Bracket	2
6	FPS6757-A	Angled Bracket	1
7	FPS6758-A	Angled Bracket	1
8	FSU0028-A	M8 x 16mm Female IntascREW - Security Pin - SS - Incl Loctite	16
9	FSU0031-A	M10 Washer - SS	16
10	FSU0039-A	M8 Washer - SS (Form B)	16
11	FSU0071-A	M8 x 25mm Button Head Bolt - Security Pin - SS	16
12	FXS0001-A	H5 Hex Security Driver Bit	1
13	FXS0002-A	T40 Torx Security Driver Bit	1



Fixing Brackets Highlighted in Red

Surrounding Area: 22 sqm

Free Height of Fall: 580mm



Approx. Unit Weight: 198.8kg total

Stern Section: 79.3kg
Mid Section: 77.7kg
Bow Section: 41.8kg

